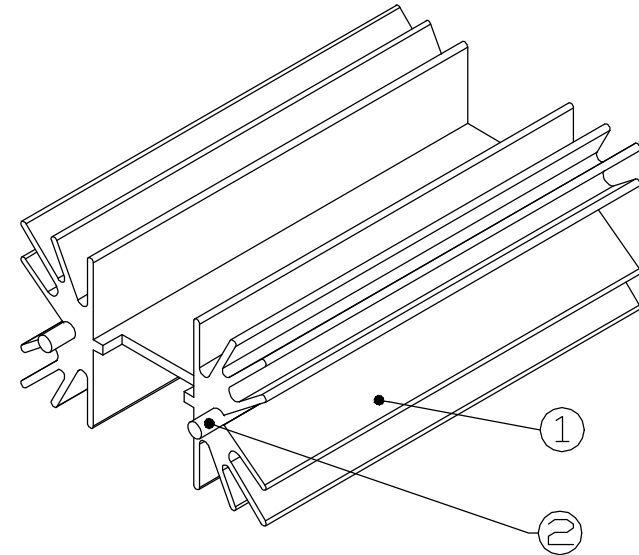
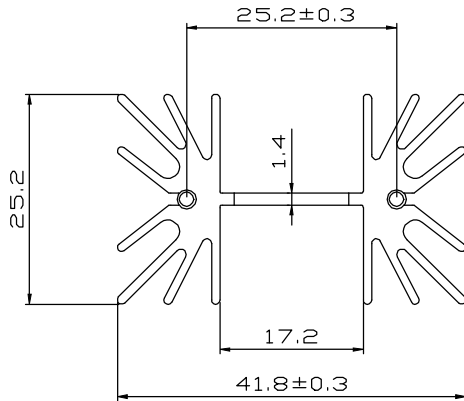
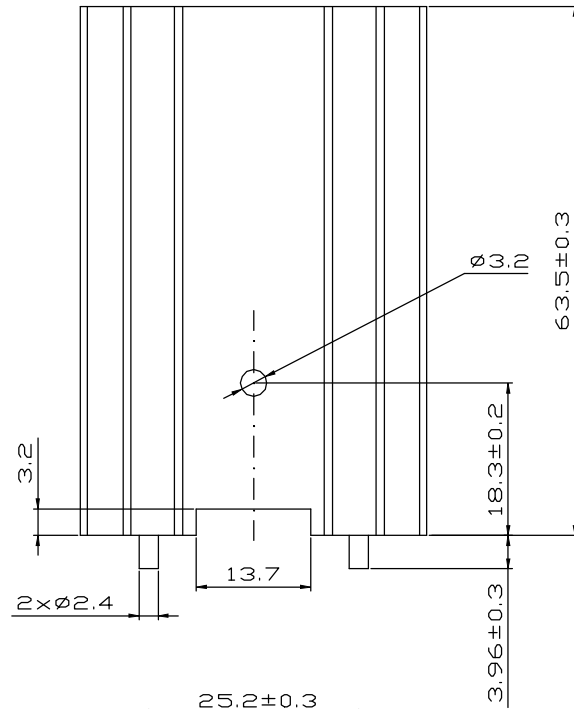


REV.	DESCRIPTION	DATE	CHECKED
A	NEW RELEASE	05.03.2014	LUCY



NOTES:

ITEM	DESCRIPTION	MATERIAL	FINISH / COLOR	QTY
1	HEAT SINK	AL 6063-T5	BLACK ANODIZE	1
2	PIN	STEEL	TIN-PLATED	2

FINISH: SEE NOTES		<b>ENZOTECH</b>			
MATERIAL: SEE NOTES					
DATE: 05.03.2014	APPROVED: AUDI	CHECKED: NICOLE	DRAWN: LUCY	REV.: A	P/N :  <b>TO 4225-67-2</b>
TITLE: HEAT SINK					

UNIT:	MM
TOLERANCE TABLE	
X.	=±0.30
X.X	=±0.20
X.XX	=±0.10
ANGLE	=±1°