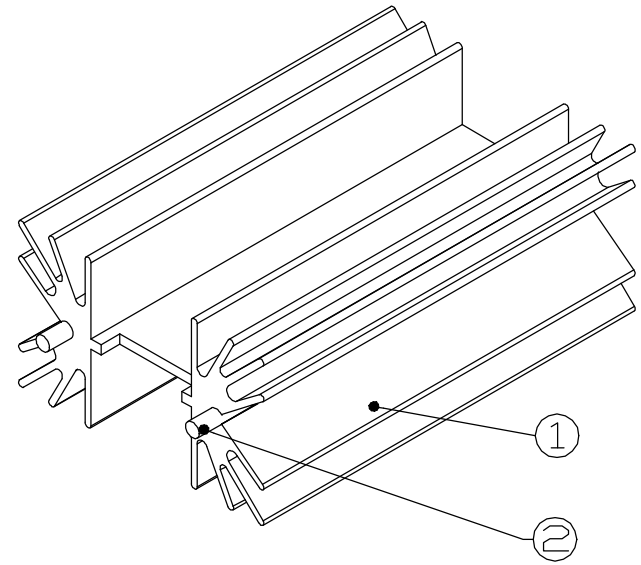
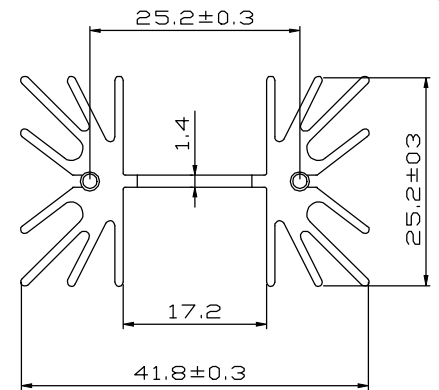
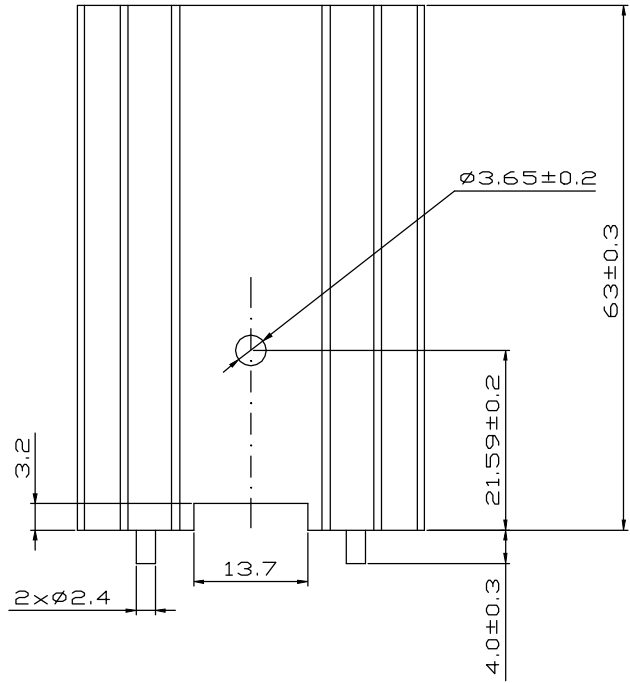


REV.	DESCRIPTION	DATE	CHECKED
A	NEW RELEASE	05.03.2014	LUCY



NOTES:

ITEM	DESCRIPTION	MATERIAL	FINISH / COLOR	QTY
1	HEAT SINK	AL 6063-T5	BLACK ANODIZE	1
2	PIN	STEEL	TIN-PLATED	2

FINISH:	ENZOTECH			
SEE NOTES				
MATERIAL:	APPROVED:	CHECKED:	DRAWN:	REV.:
SEE NOTES	AUDI	NICOLE	LUCY	A
DATE:	P/N. :			
05.03.2014	TO 4225-67-1			
TITLE:				
HEAT SINK				

UNIT: MM

TOLERANCE TABLE	
X.	=±0.30
X.X	=±0.20
X.XX	=±0.10
ANGLE	=±1°