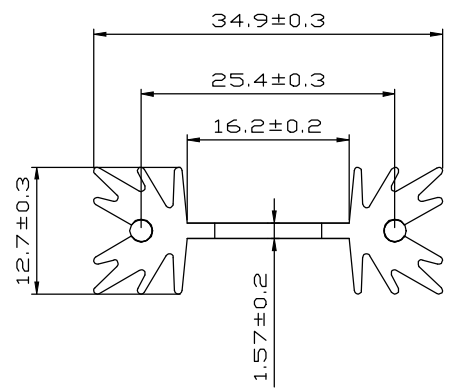
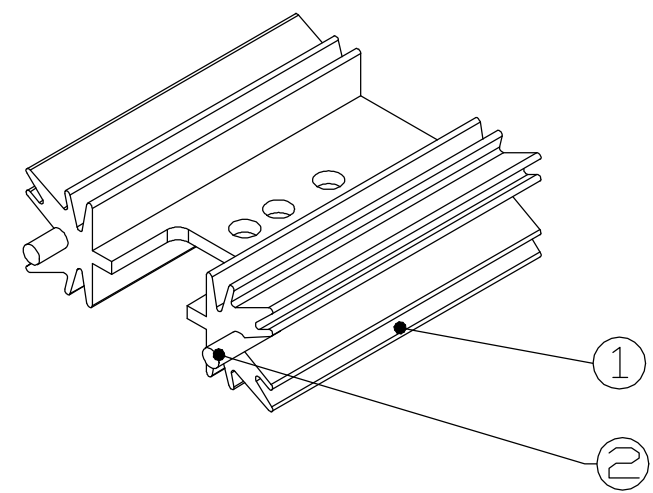
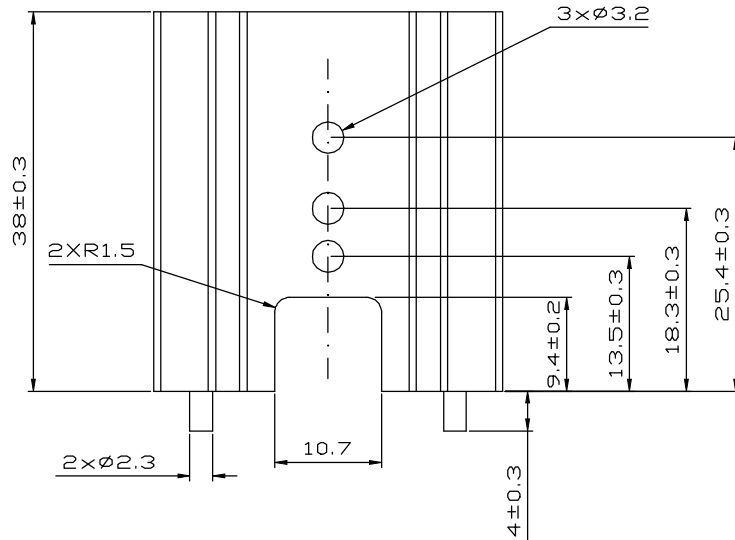


| REV. | DESCRIPTION | DATE | CHECKED |
|------|-------------|------------|---------|
| A | NEW RELEASE | 05.03.2014 | LUCY |



NOTES:

| ITEM | DESCRIPTION | MATERIAL | FINISH / COLOR | QTY |
|------|-------------|------------|----------------|-----|
| 1 | HEAT SINK | AL 6063-T5 | BLACK ANODIZE | 1 |
| 2 | PIN | STEEL | TIN-PLATED | 2 |

| | | | | |
|------------------------|------------------------|--------------------|----------------|------------|
| FINISH: SEE NOTES | ENZOTECH | | | |
| MATERIAL: SEE NOTES | | | | |
| DATE: 05.03.2014 | APPROVED: AUDI | CHECKED: NICOLE | DRAWN: LUCY | REV.: A |
| TITLE: HEAT SINK | P/N. : TO 3513-42-3 | | | |

| | |
|-----------------|--------|
| UNIT: | MM |
| TOLERANCE TABLE | |
| X. | =±0.30 |
| X.X | =±0.20 |
| X.XX | =±0.10 |
| ANGLE | =±1° |