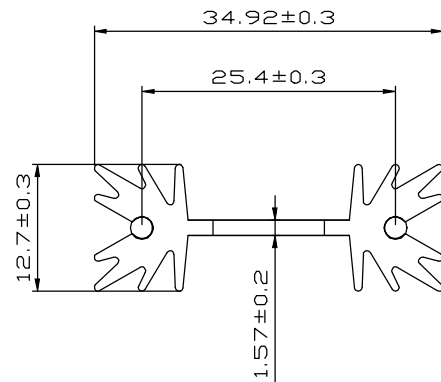
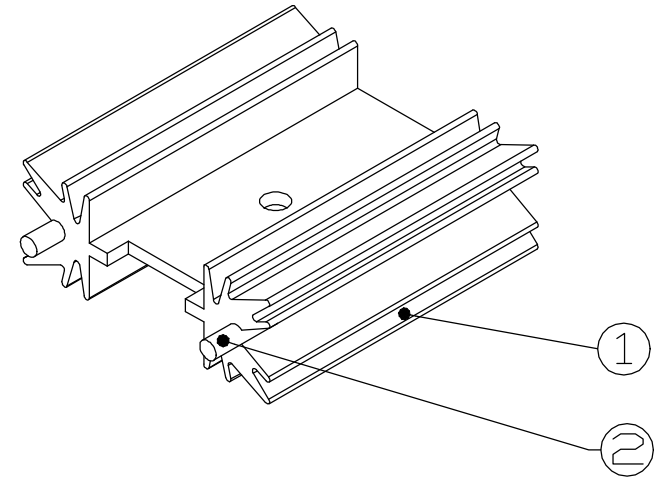
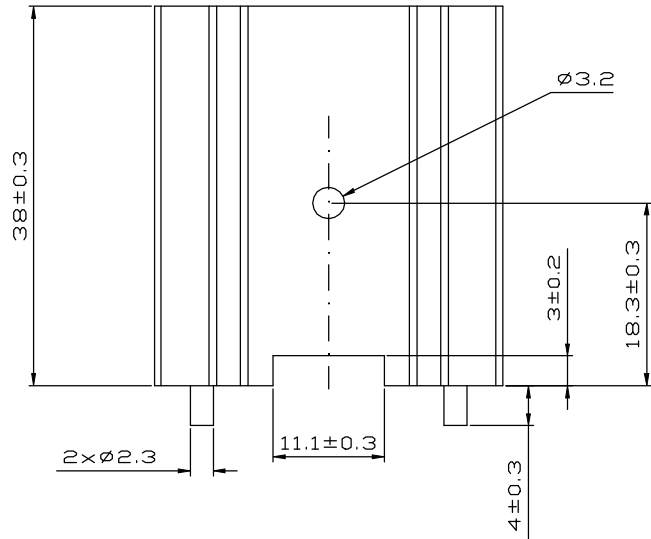


REV.	DESCRIPTION	DATE	CHECKED
A	NEW RELEASE	05.03.2014	LUCY



NOTES:

ITEM	DESCRIPTION	MATERIAL	FINISH / COLOR	QTY
1	HEAT SINK	AL 6063-T5	BLACK ANODIZE	1
2	PIN	STEEL	TIN-PLATED	2

FINISH: SEE NOTES	ENZOTECH			
MATERIAL: SEE NOTES				
DATE: 05.03.2014	APPROVED: AUDI	CHECKED: NICOLE	DRAWN: LUCY	REV.: A
TITLE: HEAT SINK	P/N. : TO 3513-42-2			

UNIT:	MM
TOLERANCE TABLE	
X.	=±0.30
X.X	=±0.20
X.XX	=±0.10
ANGLE	=±1°