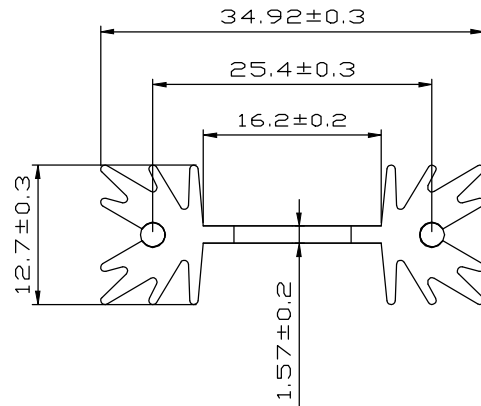
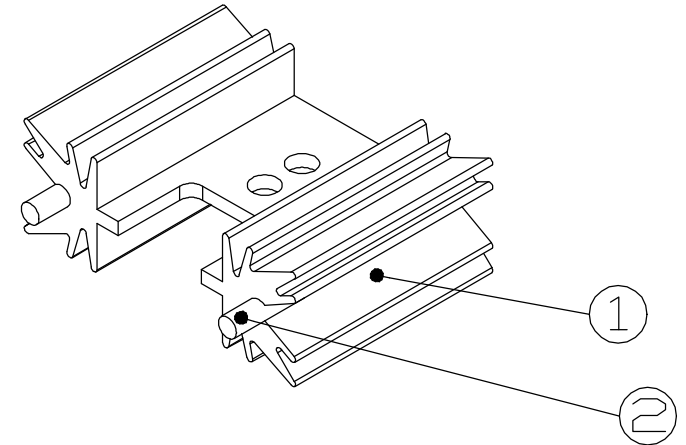
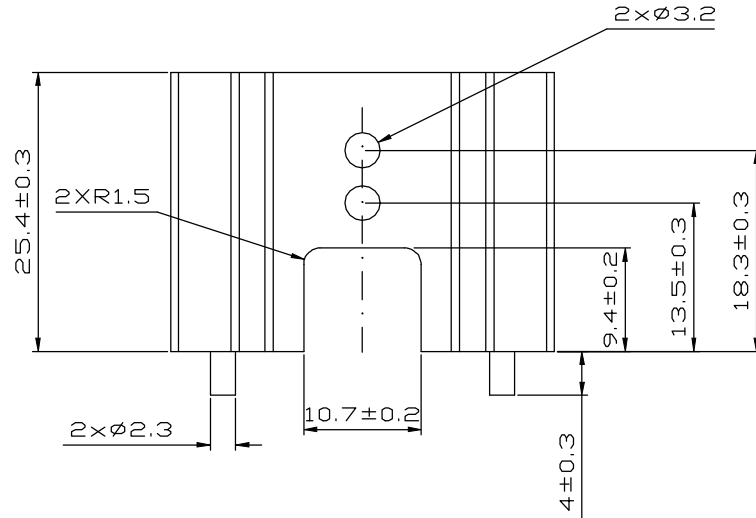


REV.	DESCRIPTION	DATE	CHECKED
A	NEW RELEASE	05.03.2014	LUCY



NOTES:

ITEM	DESCRIPTION	MATERIAL	FINISH / COLOR	QTY
1	HEAT SINK	AL 6063-T5	BLACK ANODIZE	1
2	PIN	STEEL	TIN-PLATED	2

UNIT:	MM
TOLERANCE TABLE	
X.	±0.30
X.X	±0.20
X.XX	±0.10
ANGLE	±1°

FINISH:	SEE NOTES			
MATERIAL:	SEE NOTES			
DATE:	05.03.2014	APPROVED:	CHECKED:	DRAWN:
TITLE:	HEAT SINK	AUDI	NICOLE	LUCY
		REV.:	A	
		P/N. :		
		TO 3513-29-1		

ENZOTECH